



Front Elevation  
Scale: 1/4" = 1'0"



Left Elevation  
Scale: 1/8" = 1'0"



Rear Elevation  
Scale: 1/8" = 1'0"



Right Elevation  
Scale: 1/8" = 1'0"

Base Designs  
2727 Chimney Pt.  
Linden N.C. 28356  
910-864-1253

DATE: November 01, 2013  
REVISED  
DRAWING#

EIV. A

SCALE: 1/4"  
DRAWN BY  
APPROVED

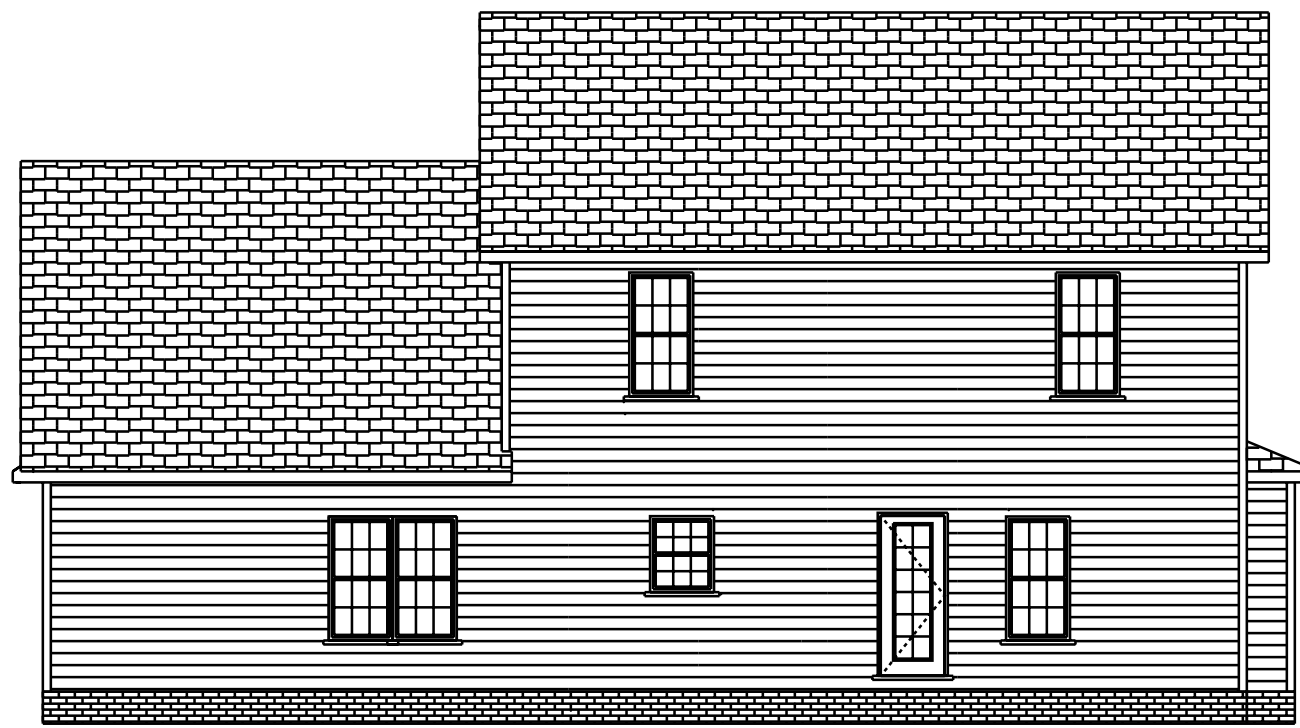
The Casey



Front Elevation  
Scale: 1/4" = 1'0"



Left Elevation  
Scale: 1/8" = 1'0"



Rear Elevation  
Scale: 1/8" = 1'0"



Right Elevation  
Scale: 1/8" = 1'0"

Base Designs  
2727 Chimney Pt.  
Linden N.C. 28356  
910-864-1253

DATE: November 01, 2013  
REVISED  
DRAWING#

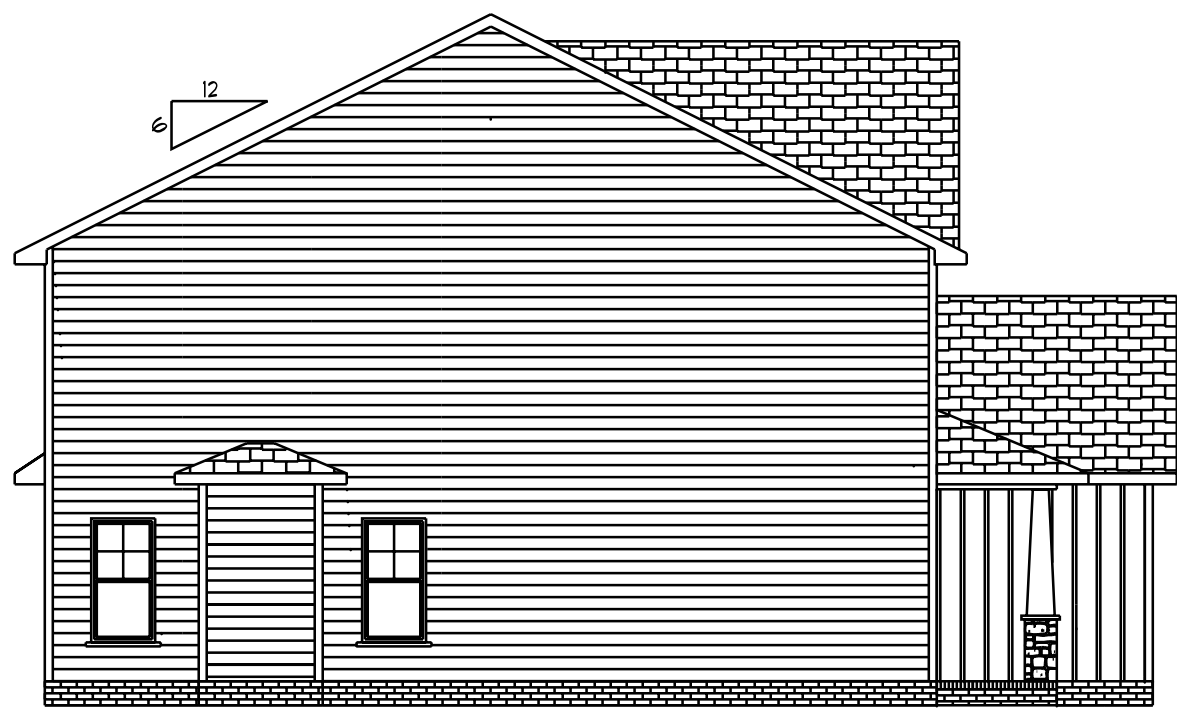
EIV. B

SCALE: 1/4"  
DRAWN BY  
APPROVED

The Casey



Front Elevation  
Scale: 1/4" = 1'0"



Left Elevation  
Scale: 1/8" = 1'0"



Rear Elevation  
Scale: 1/8" = 1'0"



Right Elevation  
Scale: 1/8" = 1'0"

The Casey

SCALE: 1/4"  
DRAWN BY  
APPROVED

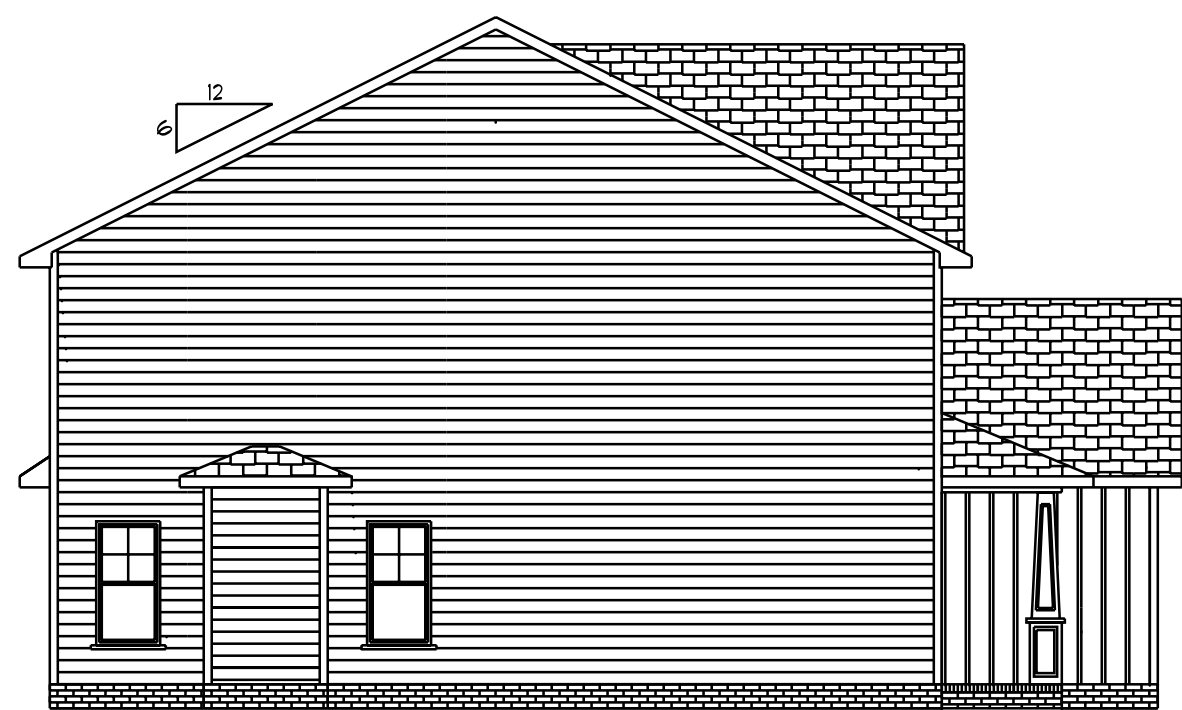
EIV. C

DATE: November 01, 2013  
REVISED  
DRAWING#

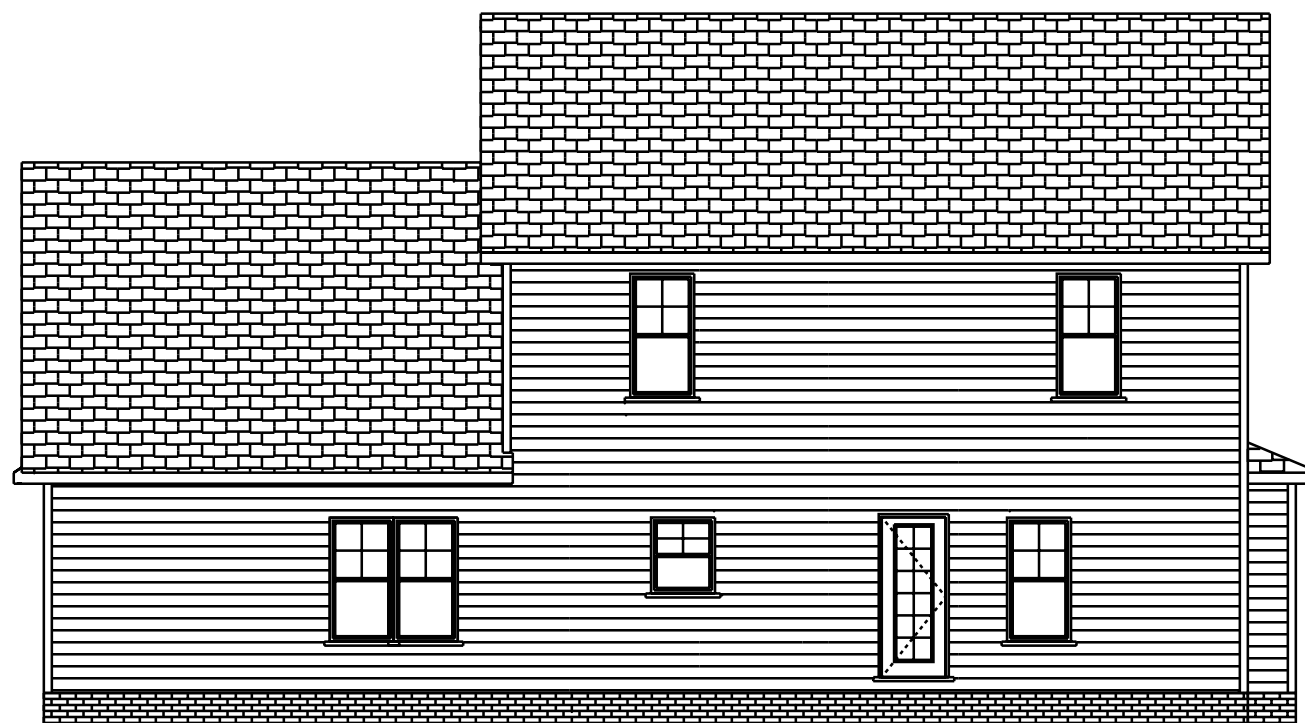
Base Designs  
2727 Chimney Pt.  
Linden N.C. 28356  
910-864-1253



Front Elevation  
Scale: 1/4" = 1'0"



Left Elevation  
Scale: 1/8" = 1'0"



Rear Elevation  
Scale: 1/8" = 1'0"



Right Elevation  
Scale: 1/8" = 1'0"

Base Designs  
2727 Chimney Pt.  
Linden N.C. 28356  
910-864-1253

DATE: November 01, 2013

REVISED

DRAWING#

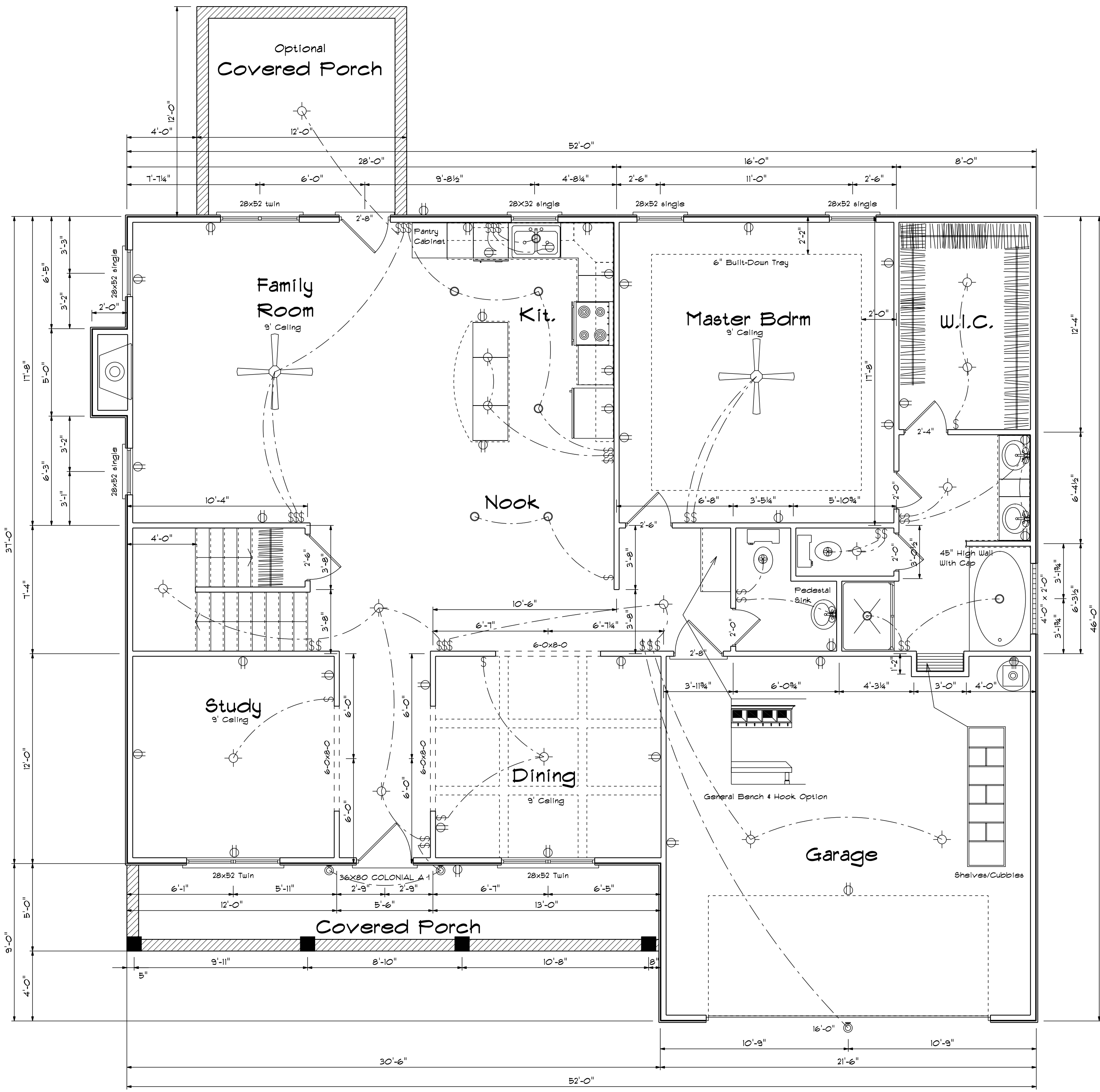
EIV. D

SCALE: 1/4"

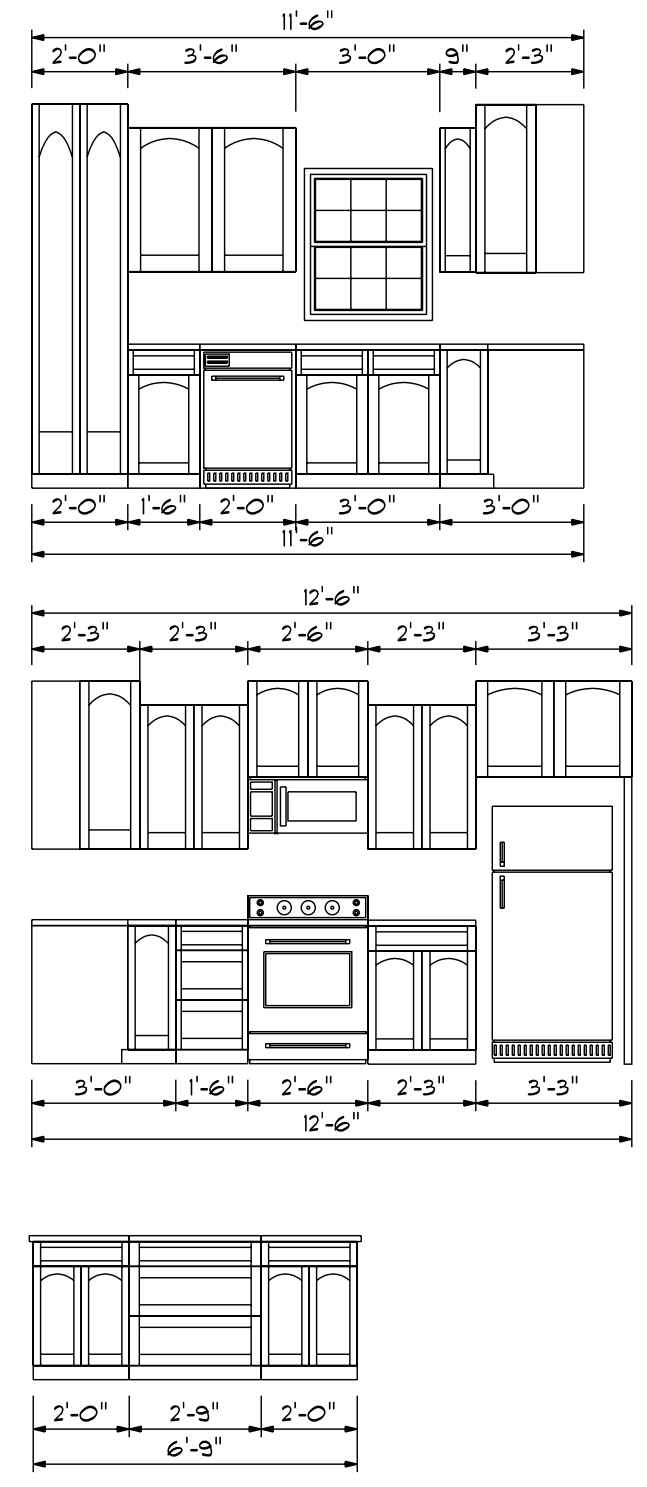
DRAWN BY

APPROVED

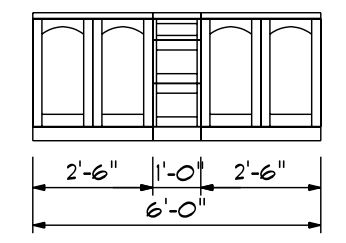
The Casey



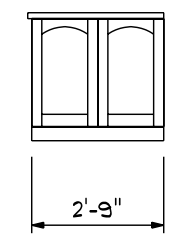
**Kitchen Cabinets**



**Master Bath Cabinets**



**Half Bath Cabinets**



**Areas**

First Floor	1683
Second Floor	1359
=====	
Total Heated	3042
Garage	403
Porch	152

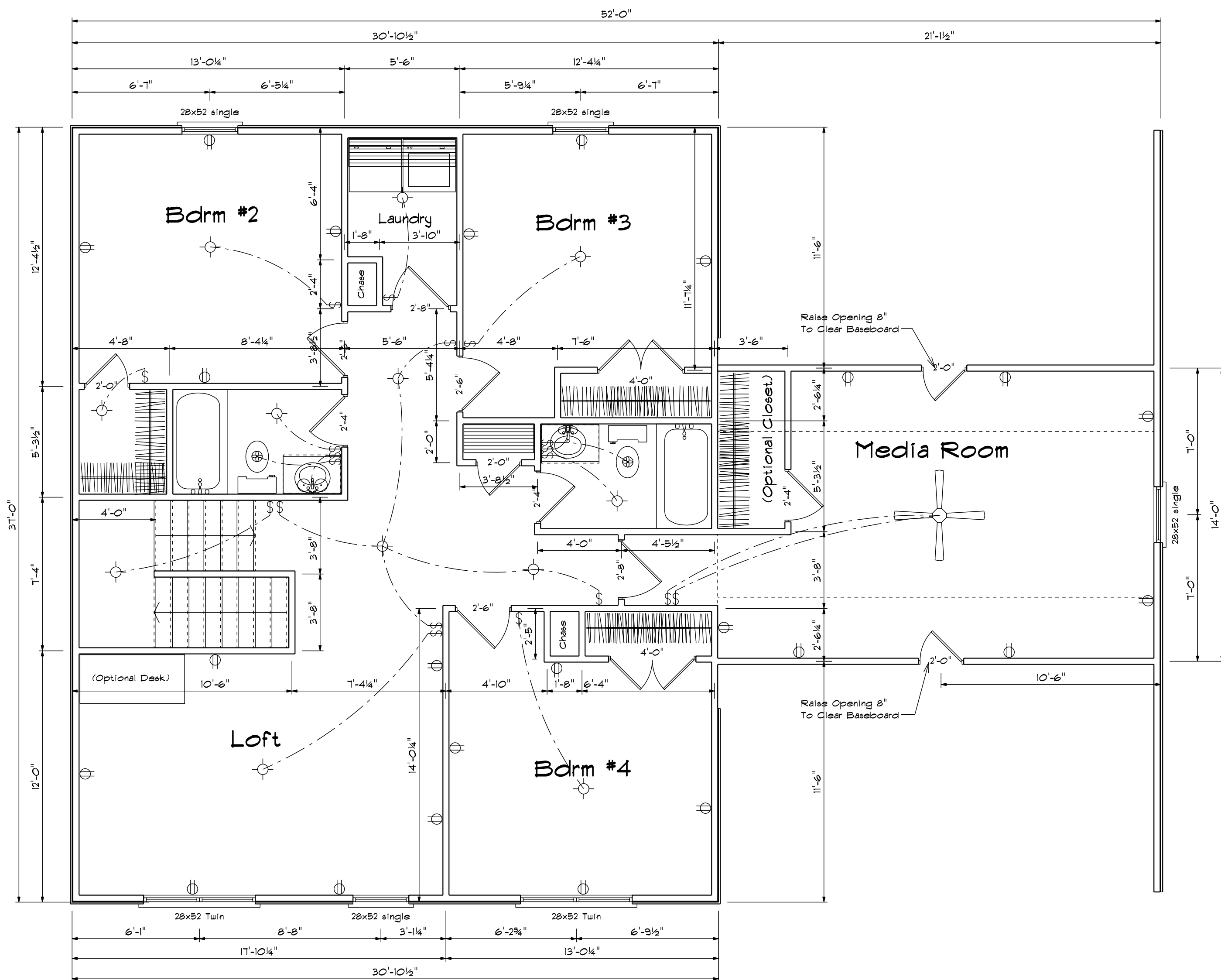
**First Floor Plan**

Base Designs  
2121 Chimney Pt.  
Linden N.C. 28356  
910-864-9310

DATE: June 15, 2014  
REVISED  
DRAWING#

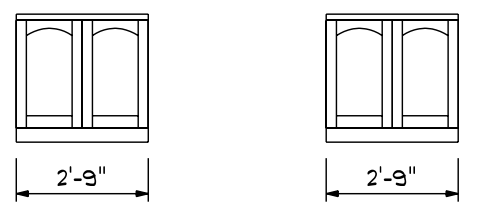
SCALE: 1/4"  
DRAWN BY  
APPROVED

**The Casey**



Second Floor Plan

Bath Cabinets



2nd Floor Opening Schedule

PRODUCT CODE	SIZE	HINGE DIRECTION	COUNT	R.O. WIDTH
2-0 Door Unit LH	2'-0"	L	3	2'-2"
2-0 Door Unit RH	2'-0"	R	1	2'-2"
2-4 Door Unit RH	2'-4"	R	2	2'-6"
2-6 Door Unit LH	2'-6"	L	1	2'-8"
2-6 Door Unit RH	2'-6"	R	2	2'-8"
2-8 Door Unit LH	2'-8"	L	1	2'-10"
2-8 Door Unit RH	2'-8"	R	1	2'-10"
4-0 Double Hung Door Unit	4'-0"	LR	2	4'-2"
28x52 Twin	5'-4" x 5'-2"	NA	2	5'-4"
28x52 single	2'-8" x 5'-2"	N	4	2'-8"

1st Floor Opening Schedule

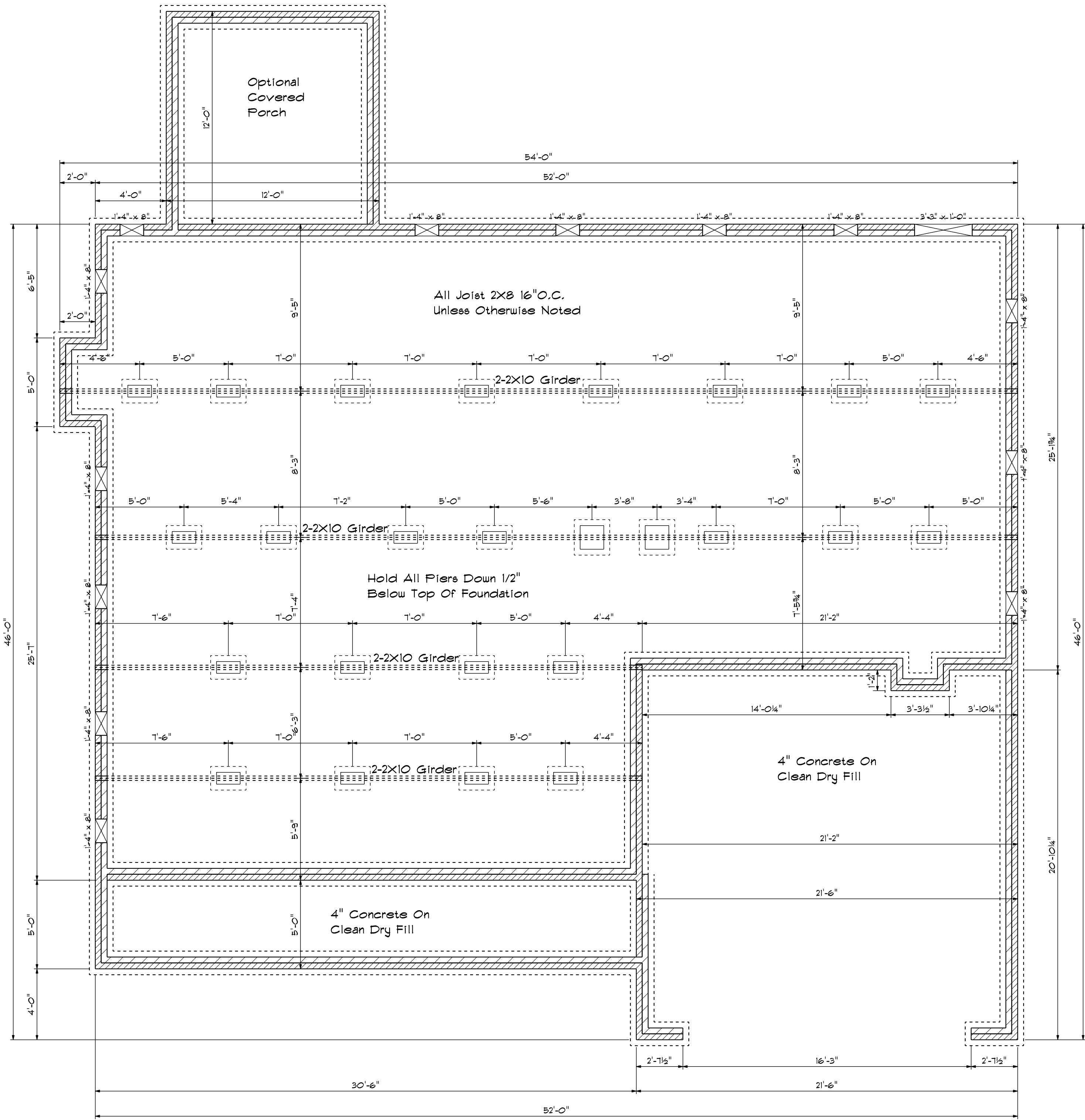
PRODUCT CODE	SIZE	HINGE DIRECTION	COUNT	R.O. WIDTH
28 Cased Opening	2'-8"	N	1	2'-8"
60 Cased Opening	6'-0"	N	1	6'-0"
60 Cased Opening	6'-0"	N	1	6'-0"
36X80 COLONIAL A 1	3'-0"	L	1	3'-3"
32X80 FRENCH A 1	2'-8"	R	1	2'-11"
192X84 - 1 PANEL	16'-0"	U	1	16'-3"
28 Exterior Door Unit	2'-8"	R	1	2'-10"
2-0 Door Unit LH	2'-0"	L	3	2'-2"
2-0 Door Unit RH	2'-0"	R	1	2'-2"
2-4 Door Unit LH	2'-4"	L	1	2'-6"
2-6 Door Unit LH	2'-6"	L	2	2'-8"
28X32 single	2'-8" x 3'-2"	N	1	2'-8"
28x52 single	2'-8" x 5'-2"	N	4	2'-8"
28x52 twin	4'-6" x 5'-2"	NN	1	4'-6"
28x52 Twin	5'-4" x 5'-2"	NA	2	5'-4"
8X8 GLASS BLOCK	4'-0" x 2'-0"	N	1	4'-0 1/2"

Base Designs  
2121 Chimney Pt.  
Linden N.C. 28356  
910-864-9310

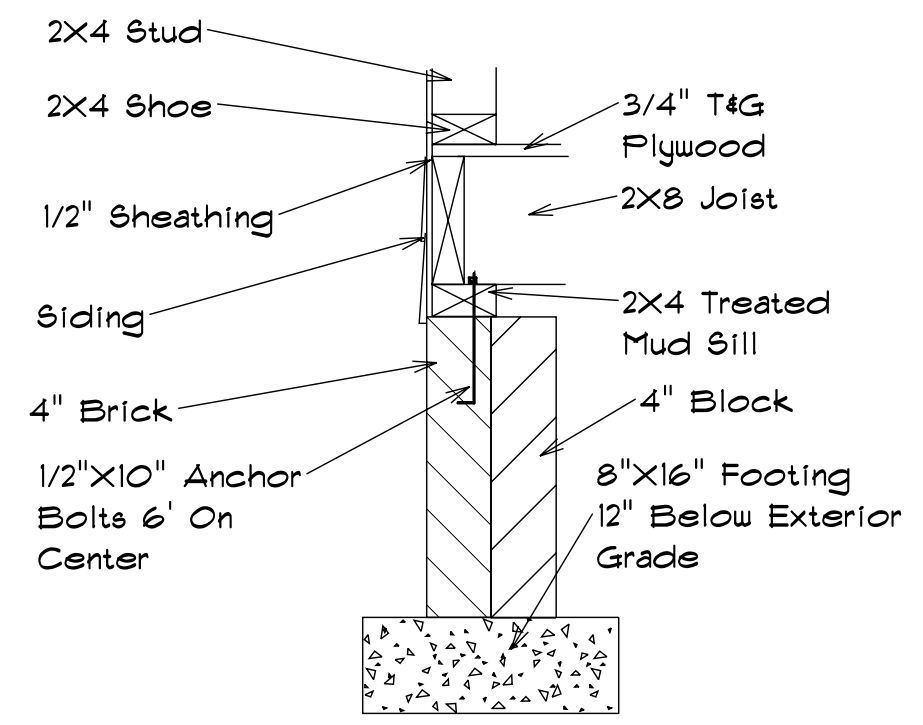
DATE: June 17, 2014  
REVISOR:  
DRAWING#

SCALE: 1/4"  
DRAWN BY:  
APPROVED:

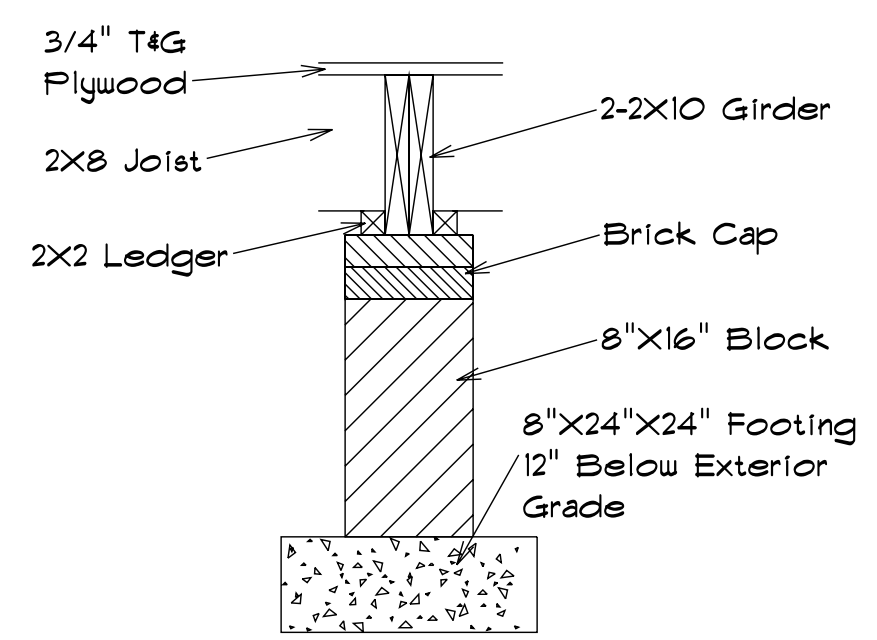
The Casey



Foundation Detail



Footing & Pier Detail



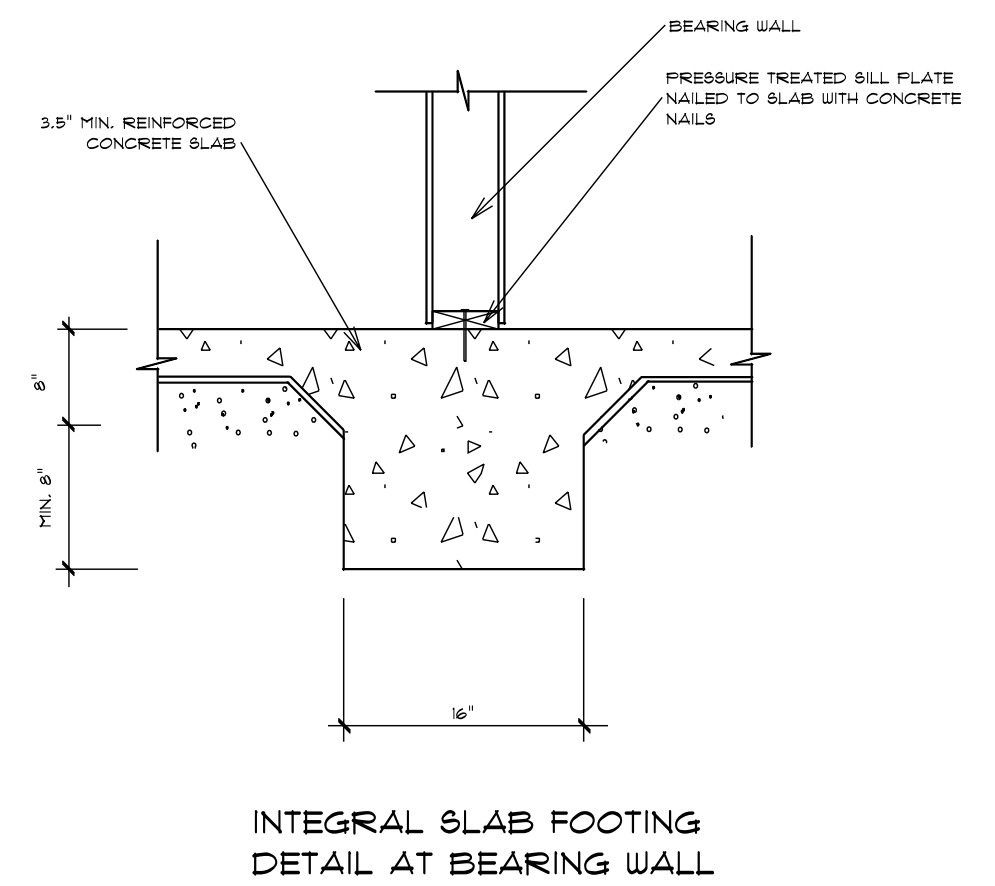
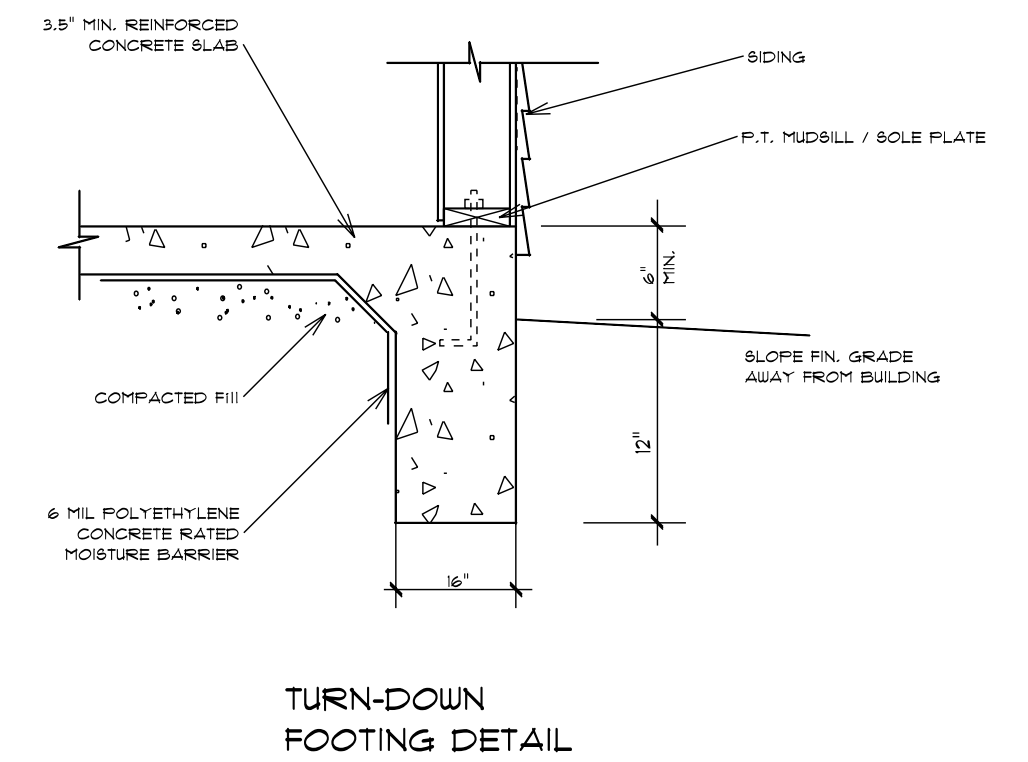
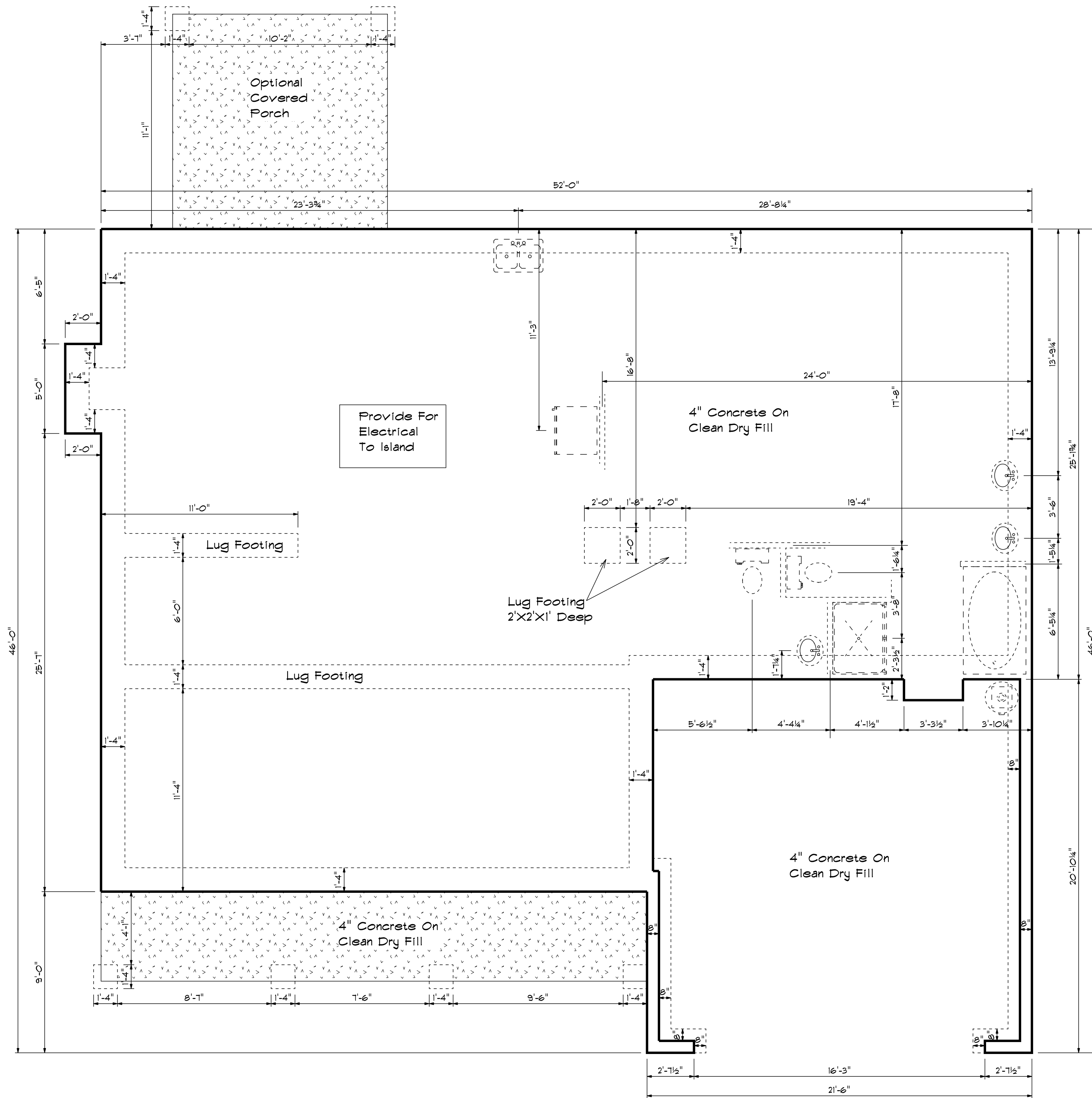
Foundation Plan

Base Designs  
2121 Chimney Pt.  
Linden N.C. 28356  
910-864-9310

DATE: June 17, 2014  
REVISED  
DRAWING#

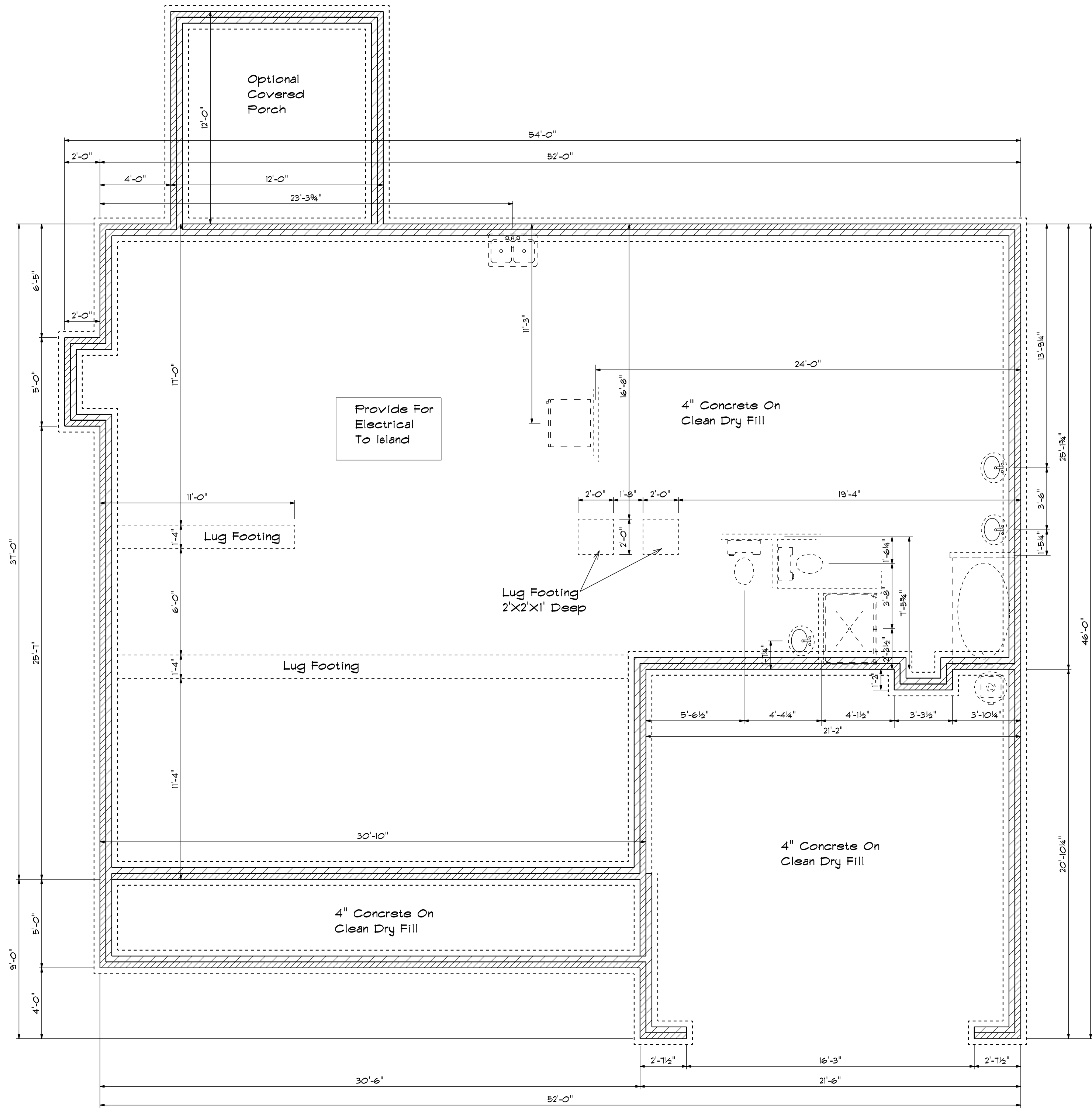
SCALE: 1/4"  
DRAWN BY  
APPROVED

The Casey

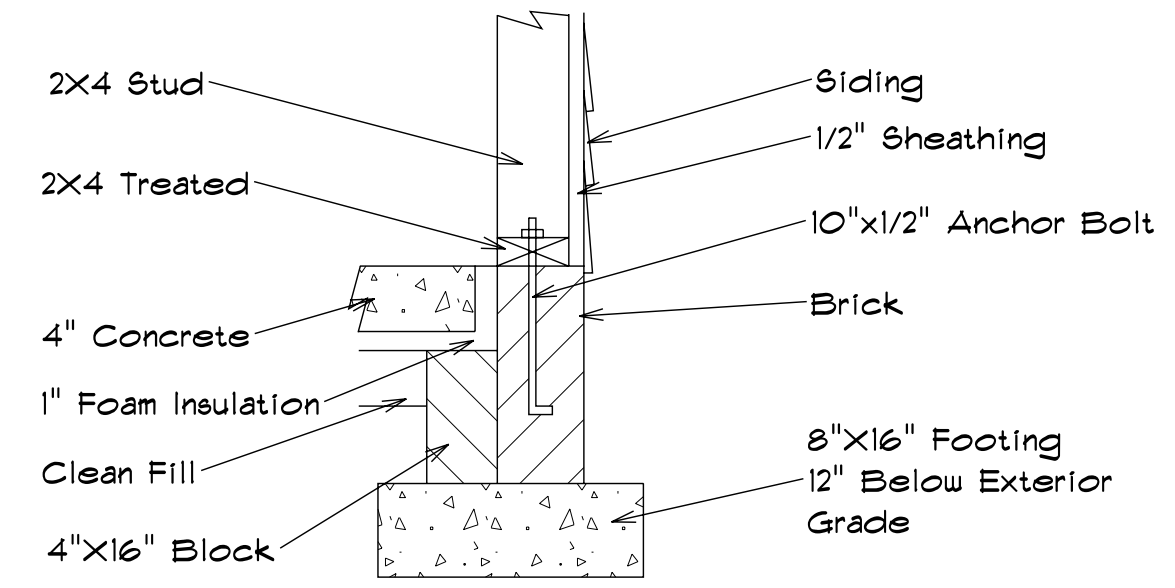


Foundation Plan

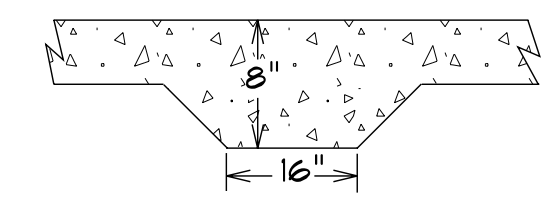




### Foundation Detail Siding



### Lug Footing Detail



### Foundation Plan

Base Designs  
2121 Chimney Pt.  
Linden N.C. 28356  
910-864-9310

DATE: June 17, 2014  
REVISED  
DRAWING#

SCALE: 1/4"  
DRAWN BY  
APPROVED

The Casey